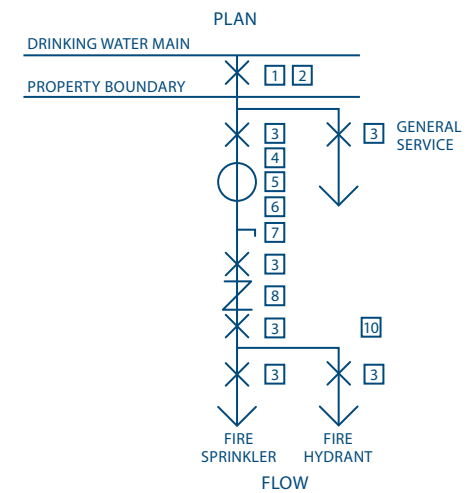


PROPERTY OWNER'S RESPONSIBILITY FROM STOP VALVE AT WATER MAIN EXCEPT FOR WATER METER

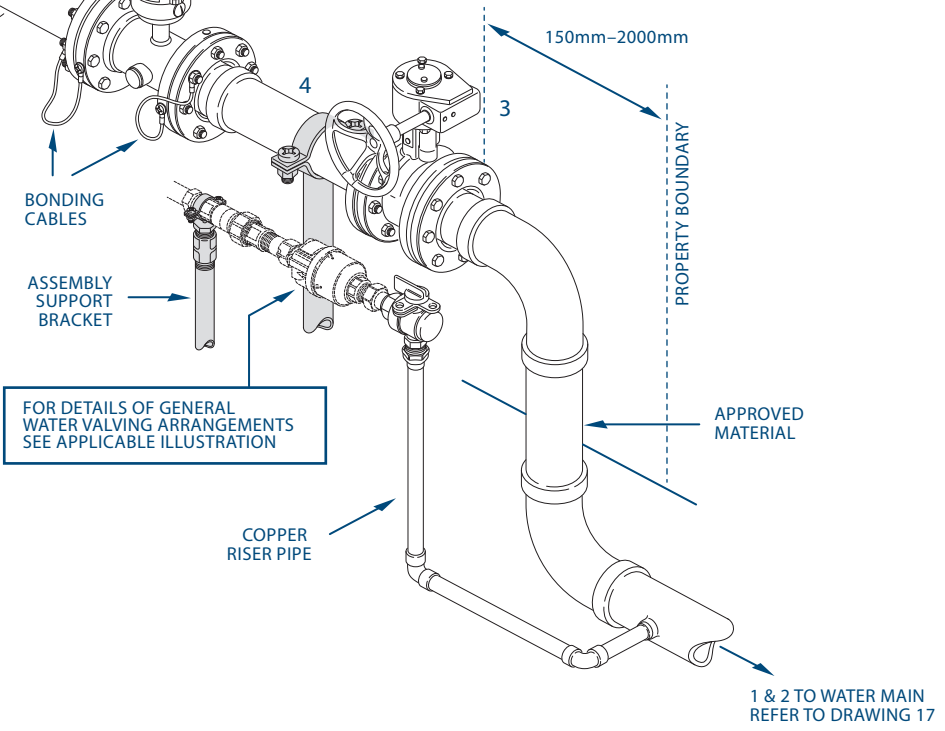
MAGNETIC FLOW METERS REQUIRE 240VOLT POWER SUPPLY

FOR DETAILS OF GENERAL WATER VALVING ARRANGEMENTS SEE APPLICABLE ILLUSTRATION



STANDARD LEGEND	
✕	V Valve
○	M Meter
□	D.B Dirt Box
—	S.P. Straight Piece
⊥	T.F. Testing Ferrule
▭	L.S. Line Strainer
≡	B.P.D. Backflow Prevention Device (Testable or Non-Testable)
Z	S.C.V. Single Check Valve
Z with triangle	T.D.C.V. Testable Detector Check Valve

SCHEDULE OF ITEMS	
ITEM NO.	DESCRIPTION
1 & 2	REFER TO DRAWING 17
3	ISOLATING VALVE. IF BUTTERFLY VALVE TO BE GEAR SHUT TYPE (RESILIENT SEATED)
4	SPACER 5 x PIPE DIAMETER
5	MAGNETIC WATER METER. SUPPLIED BY WESTERN WATER. DIRT BOX NOT REQUIRED
6	SPACER 3 x PIPE DIAMETER
7	TESTING FERRULE (OUTLET CAPPED) MINIMUM 20mm
8	TESTABLE SINGLE SPRING LOADED CHECK VALVE
9	RESILIENT SEATED BALL VALVE
METERS 50MM AND ABOVE TO BE INDEPENDENTLY SUPPORTED FROM PIPE WORK	



1 & 2 TO WATER MAIN REFER TO DRAWING 17