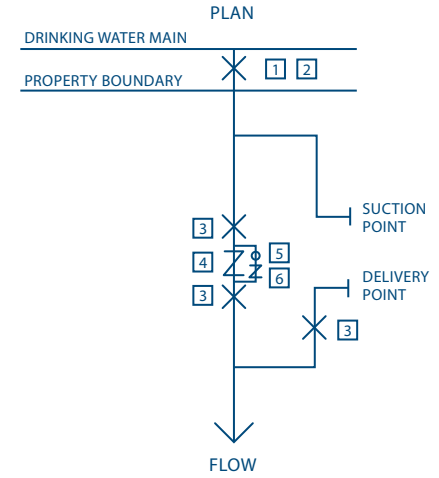
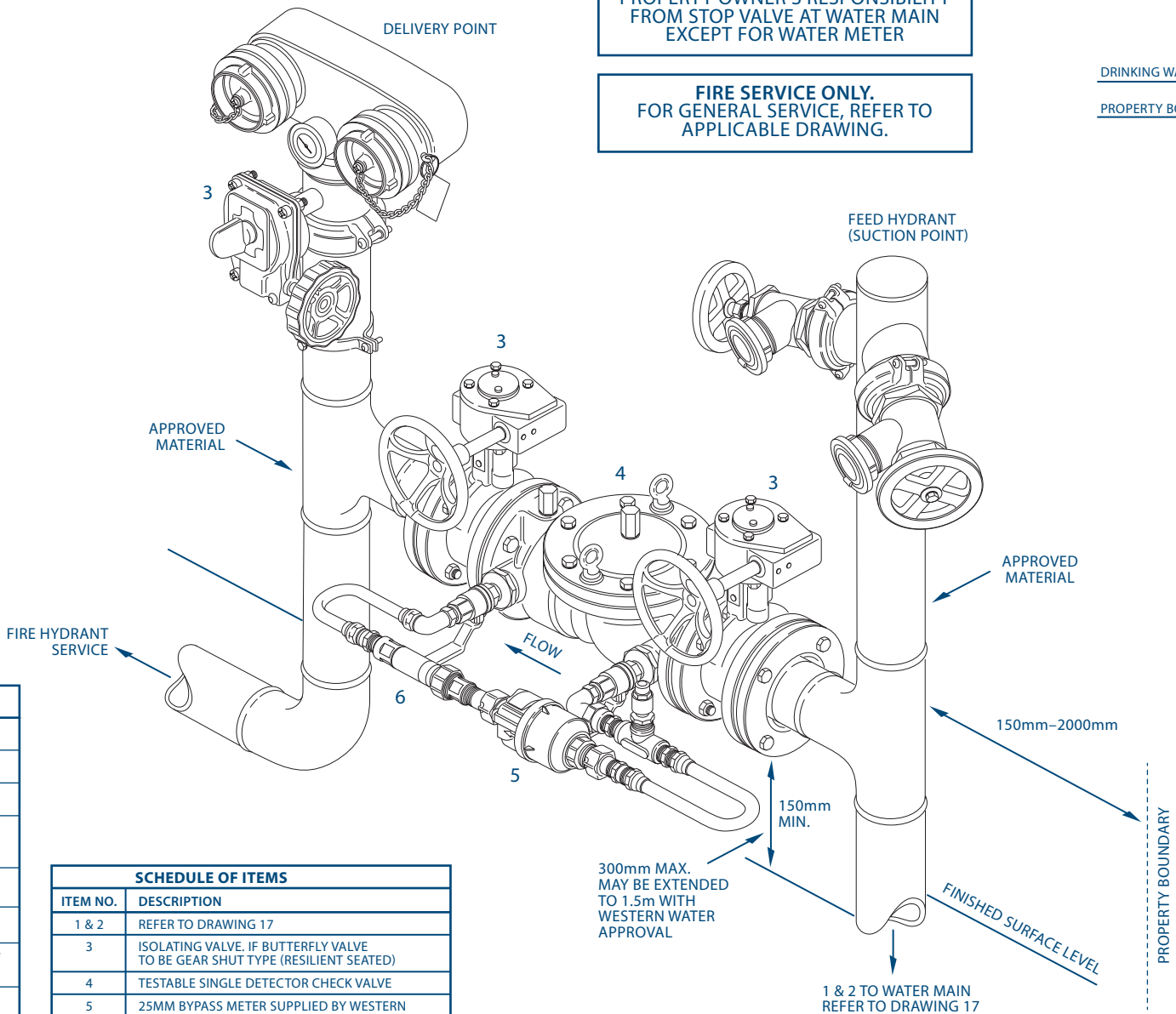


PROPERTY OWNER'S RESPONSIBILITY FROM STOP VALVE AT WATER MAIN EXCEPT FOR WATER METER

FIRE SERVICE ONLY.
FOR GENERAL SERVICE, REFER TO APPLICABLE DRAWING.



STANDARD LEGEND	
✕	V Valve
○	M Meter
□	D.B Dirt Box
—	S.P. Straight Piece
⊥	T.F. Testing Ferrule
▭	L.S. Line Strainer
≡	B.P.D. Backflow Prevention Device (Testable or Non-Testable)
Z	S.C.V. Single Check Valve
⊥	T.D.C.V. Testable Detector Check Valve

SCHEDULE OF ITEMS	
ITEM NO.	DESCRIPTION
1 & 2	REFER TO DRAWING 17
3	ISOLATING VALVE. IF BUTTERFLY VALVE TO BE GEAR SHUT TYPE (RESILIENT SEATED)
4	TESTABLE SINGLE DETECTOR CHECK VALVE
5	25MM BYPASS METER SUPPLIED BY WESTERN WATER MAY REQUIRE LARGER BYPASS METERS ON ACASE BY CASE BASIS. SEE DRAWING 17
6	25MM DUAL CHECK VALVE